

### PRODUCT SPECIFICATIONS

BCI Group	Part Number	Voltage	Capacity (Ampere Hours)		Reserve Capacity (Minutes)		Product Dimensions			Terminal	Kg
			C20	C5	25 Amps	75 Amps	Length	Width	Height		
GC2	PLA-T105	6	225	185	447	115	260	178	289	LPT	28.0

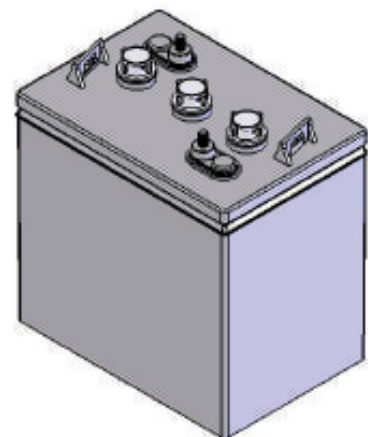
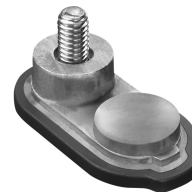
### CHARGING INSTRUCTIONS

#### CHARGER VOLTAGE SETTINGS (AT 77°F/25°C)

System Voltage	6V	12V	24V	36V	48V
Absorption Charge	7.40	14.8	29.6	44.4	59.2
Float Charge	6.60	13.2	26.4	39.6	52.8
Equalize Charge	7.75	15.5	31.0	46.5	62.0

Do not install or charge batteries in a sealed or non-ventilated compartment. Constant under or overcharging will damage the battery and shorten its life as with any battery.

### TERMINAL



### CHARGING TEMPERATURE COMPENSATION

.028 VPC for every 10°F (5.55°C) above or below 77°F (25°C) (add .028 VPC for every 10°F (5.55°C) below 77°F and subtract .028 VPC for every 10°C above 77°F).

### OPERATIONAL DATA

Operating Temperature	Self Discharge
-4°F to 113°F (-20°C to +45°C). At temperatures below 32°F (0°C) maintain a state of charge greater than 60%.	5 - 15% per month depending on storage temperature conditions.

### Platinum Batteries (Europe) Limited

Platinum House, Bailey Road, Trafford Park, Manchester, M17 1SA. Tel. 0845 063 9999  
 Fax. 0845 063 8888 | sales@platinumbatteries.co.uk | www.platinumbatteries.co.uk

Registered in England number 4397197

